



Vehicle Condition Report

Rental location _____

Rental agreement: _____

Registration: _____

Licence Checked Fuel type: Petrol (Gasolene) Diesel Fuel reading Tax exp Date

Before you drive the vehicle

We checked your vehicle and found (please tick ONE box):

No existing damage other than minor defects* Existing damage as shown below

Please sign here to confirm. If you find additional damage please notify the rental location before driving the vehicle.

Signature: _____ Date: ____/____/____

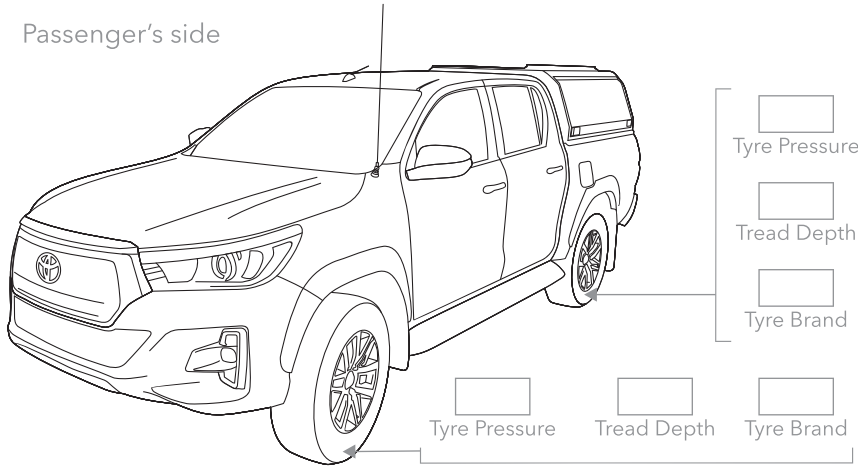
Minor defects we don't charge for:

- Chips, dents, and light scratches caused by day-to-day motoring
- Scratches – An area of not more than 25mm in diameter
- Paint Chip – An area of not more than 3mm in diameter
- Dent – An area of not more than 25mm in diameter
- Mag Wheel Scratches – Where the vehicles wheel rims are damaged and repairable, we will pay for the repairs to the vehicle up to the maximum limit cover of R5,000
- Any of the above damages, if not more than R5,000 inclusive of VAT

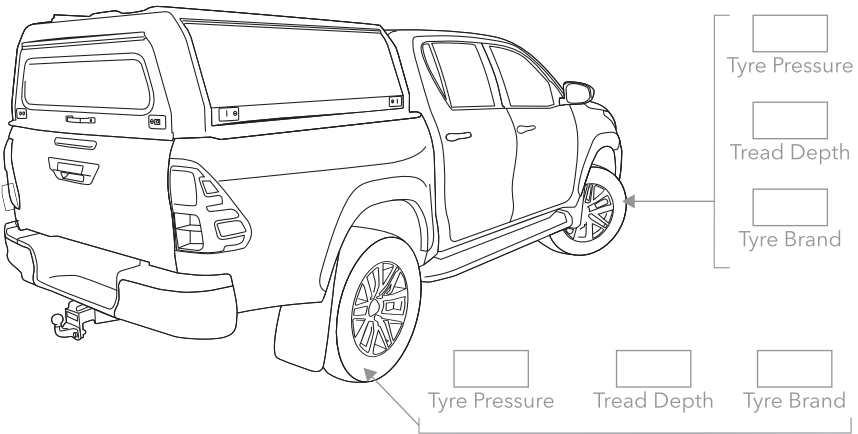
Defects we charge for:

- Damages will be charged if cost of repairs, irrespective of the size of the damage, is more than the R5,000 limit.
- Where any part of the body panel and/or plastic, vinyl/hardened rubber trim part has been ripped or torn, the damage will be charged for.
- Any damage which in the Lessors discretion is deemed to have been incurred as a result of a collision or another accident and not a result of day-to-day motoring.

Passenger's side



Driver's side



Existing damage

	SCRATCH	DENT	CRACK	CHIP	MISSING
ITEM NO.	S/M/L	S/M/L	S/M/L	S/M/L	4
INTERIOR / OTHER					

Your vehicle was checked by _____

Date: ____/____/____ Signature: _____

Incident report numbers

Prior to the start of your journey

Please note any damage not recorded above, and advise us prior to the start of your journey. (If you need any help please speak to a member of staff or give us a call).

Name: _____ Signature: _____

If not available, please record the name of the member of staff you spoke to (include date and time) below:

Name _____ Date _____ Time _____

Large (over 200mm)

Medium (50-200mm)

Small (up to 50mm)

If you have an accident...

- Don't admit fault or give money to anyone
- Call the Police if someone has been injured or killed
- Please don't arrange your own repairs
- Report the incident to your local rental station
- Please don't attempt to drive the car unless it is safe to do so

Please record these details at the time of the incident

Date and time of accident _____

Place _____

Details of other vehicle (if any)

Registration _____

Make/model of vehicle _____

Driver's name and address _____

Driver's phone number _____

Driver's email _____

Driving licence number _____

Owner's name and address (if different from driver) _____

Insurance company name and address _____

Insurance company phone number _____

Insurance policy number _____

Police

Officer's name and number _____

Police station _____

Crime reference number _____

Witness

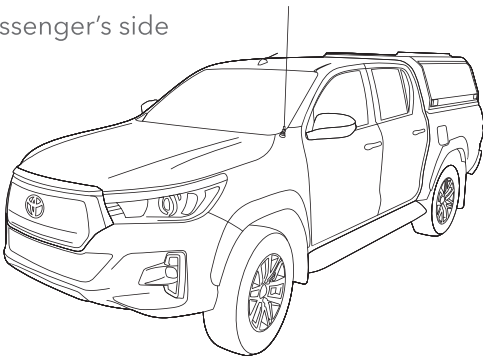
Name and address _____

Sketch of road layout

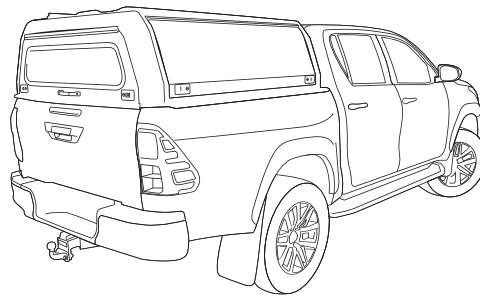
If the vehicle is damaged during your rental

Please identify the damage to the vehicle and provide a description.

Passenger's side



Driver's side



Description of damage

Signature: _____ Date: ____/____/____